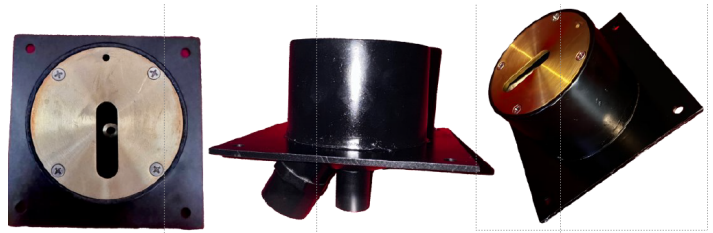


IDEAL FOUNTAINS™

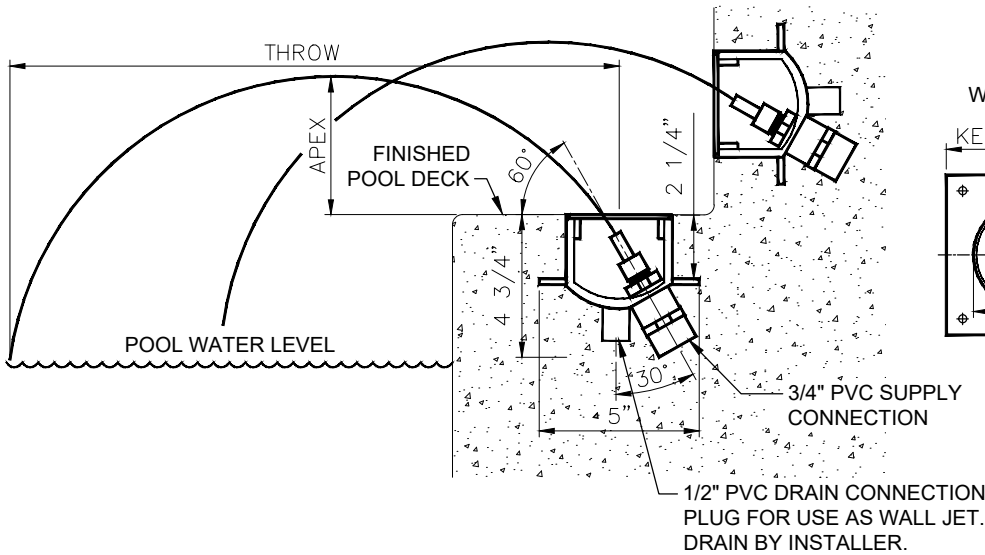
Shaping Of Water™

1-833-433-2569

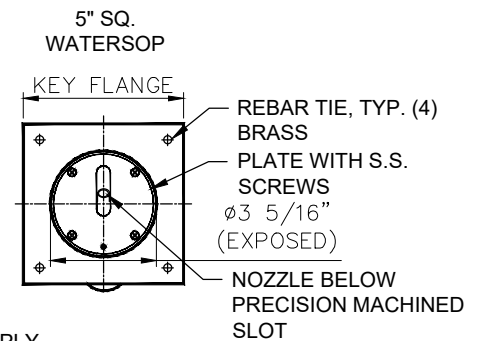
N-WJDJ Waterjet/Deckjet



ELEVATION



PLAN VIEW



HYDRAULIC DATA

Product Name	PVC Socket Size	Orifice Size	Throw Angle		Distance Apes @ 45°	6'	8'	10'	12'	14'	16'
			Min	Max							
NWJDJ-PDJ-187	3/4"	3/16"	45°	75°	Gpm	1.3	1.5	1.8	2.1	2.2	2.3
NWJDJ-PDJ-250	3/4"	1/4"	45°	75°	Gpm	2.0	2.5	2.8	3.1	3.4	3.6
NWJDJ-PDJ-312	3/4"	5/16"	45°	75°	Gpm	2.6	3.0	3.6	4.2	5.1	6.0

SPECIFICATION DATA: The Precision 'Deck Jet' assembly includes a high-strength Schedule 40 thermoplastic niche body with an integrated waterstop/key flange, rebar attachment holes, and a brass adjustable precision jet. It features a flush brass cover plate secured with stainless steel fasteners, a 3/4" PVC socket supply connection, and a 1/2" PVC spigot drain connection.

NOTES:

1. Orifice sizes are interchangeable in the field
2. Requires PVC primer and HD PVC Glue
3. Works with standard filter screening
4. Faceplate available in Brass and Stainless Steel

WWW.IDEALFOUNTAINS.COM